

Model: 1000REOZM

KOHLER.

380-480 V

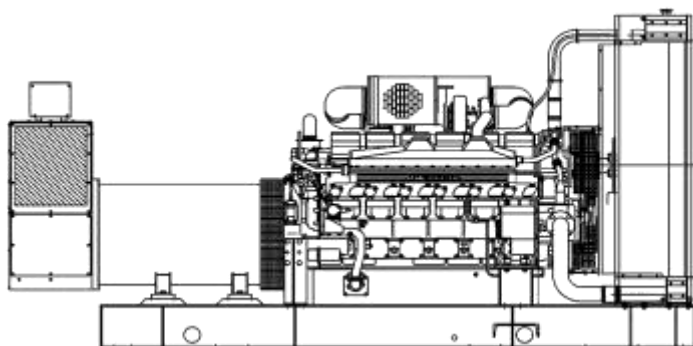
4-Cycle Diesel



Tier 1 EPA-Certified for Stationary Emergency Applications

Ratings Range

		60 Hz	50 Hz
Standby:	kW	1040-1050	844-940
	kVA	1300-1312	1055-1175
Prime:	kW	945-955	808-860
	kVA	1181-1193	1010-1075
DCC:	kW	945-955	808-860
	kVA	1181-1193	1010-1075



Standard Features

- Kohler Co. provides one-source responsibility for the generating system and accessories.
- The generator set and its components are prototype- tested, factory-built, and production-tested.
- The generator set complies with ISO 8528-5, Class G3 requirements for transient performance.
- The generator set accepts rated load in one step.
- A standard one-year limited warranty covers all systems and components. Two-, five-, and ten-year extended warranties are also available.
- Alternator features:
 - The pilot-excited, permanent magnet (PM) alternator provides superior short-circuit capability.
 - The brushless, rotating-field generator has broad range reconnectability.
- Other features:
 - Kohler designed controllers for guaranteed system integration and remote communication. See Controllers on page 3.
 - The low coolant level shutdown prevents overheating (standard on radiator models only).
 - Integral vibration isolation eliminates the need for under-unit vibration spring isolators.
 - An electronic, isochronous governor delivers precise frequency regulation.
 - Multiple circuit breaker configurations.

Generator Ratings

Alternator	Voltage	Ph	Hz	150°C Rise Standby Rating		125°C Rise Prime Rating		125°C Rise DCC Rating	
				kW/kVA	Amps	kW/kVA	Amps	kW/kVA	Amps
5M4044	277/480	3	60	1050/1312	1578	955/1193	1435	955/1193	1435
	220/380	3	50	910/1138	1728	824/1030	1565	824/1030	1565
	230/400	3	50	912/1140	1645	828/1035	1494	828/1035	1494
	240/415	3	50	844/1055	1468	808/1010	1405	808/1010	1405
7M4046	220/380	3	50	940/1175	1785	860/1075	1633	860/1075	1633
	230/400	3	50	940/1175	1695	860/1075	1551	860/1075	1551
	240/415	3	50	940/1175	1635	860/1075	1495	860/1075	1495
7M4170	220/380	3	60	1040/1300	1975	945/1181	1794	945/1181	1794

RATINGS: All three-phase units are rated at 0.8 power factor. Standby Ratings: The standby rating is applicable to varying loads for the duration of a power outage. There is no overload capability for this rating. Prime Power Ratings: At varying load, the number of generator set operating hours is unlimited. A 10% overload capacity is available for one hour in twelve. Ratings are in accordance with ISO-8528-1 and ISO-3046-1. For limited running time and continuous ratings, consult the factory. DCC : Data Center Continuous Power ratings apply to Data Center installations where a reliable utility power is available and comply with Uptime institute Tier III and IV requirements. At constant or varying load, the number of generator set operating hours is unlimited. Average load: ≤ 100%. For limited running time and base load ratings, consult the factory. Obtain technical information bulletin (TIB-101) for rating guidelines and complete ratings definitions. GENERAL GUIDELINES FOR DERATION : Altitude: Derate 5.0 % per 500 m (1640 ft) elevation above 1000 m (3280 ft) up to maximum altitude of 4000 m (13120 ft). Temperature: Derate 6.0 % per 10°C (18°F) temperature above 40°C (104°F) up to maximum temperature of 60° C (140° F). The generator set manufacturer reserves the right to change the design and specifications without notice and without any obligation or liability whatsoever.

This document is not contractual - Kohler Co. reserves the right to modify any of the characteristics without notice, in a constant effort to improve the quality of its products.

Alternator Specifications

Specifications	Generator
Type	4-Pole, Rotating-Field
Exciter type	Brushless, Permanent-Magnet Pilot Exciter
Voltage regulator	Solid State, Volts/Hz
Insulation:	NEMA MG1
Material	Class H, Synthetic, Nonhygroscopic
Temperature rise.	125°C Prime, 150°C Standby
Bearing: quantity, type	1, Sealed
Coupling	Flexible Disc
Amortisseur windings	Full
Rotor balancing	125% 60Hz, 150% 50Hz
Voltage regulation, no-load to full-load (with <0.5% drift due to temp Variation)	3-Phase Sensing, ±0.25%
One-step load acceptance	100% of Rating
Unbalanced load capability	100% of Rated Standby Current
Peak motor starting kVA:	(35% dip for voltages below)
480 V, 416 V 5M4044 (4 bus bar)	3900 (60Hz), 3000 (50 Hz)
415 V 7M4046 (4 bus bar)	3000 (50Hz)
380 V 7M4170 (4 bus bar)	2500 (60Hz)

- NEMA MG1, IEEE, and ANSI standards compliance for temperature rise and motor starting.
- Sustained short-circuit current of up to 300% of the rated current for up to 10 seconds.
- Sustained short-circuit current enabling downstream circuit breakers to trip without collapsing the generator field.
- Self-ventilated and drip-proof construction.
- Superior voltage waveform from two-thirds pitch windings and skewed stator.
- Digital solid-state, volts-per-hertz voltage regulator with ±0.25% no-load to full-load regulation.
- Brushless alternator with brushless pilot exciter for excellent load response.

Application Data

Engine

Engine Specifications	60 Hz	50 Hz
Engine model	S12H-Y1PTA-3	S12H-PTA-4
Engine type	4-Cycle, Turbocharged	
Cylinder arrangement	12 V	
Displacement, L (cu. in.)	37.11 (2265)	
Bore and stroke, mm (in.)	150 X 175 (5.91 x 6.89)	
Compression ratio	14.5 : 1	
Piston speed, m/min. (ft./min.)	630 (2067)	528 (1732)
Main bearings: quantity, type	7, Precision Half-Shell	
Rated rpm	1800	1500
Max. power at rated rpm, kWm (BHP)	1140 (1528)	1020 (1367)
Cylinder head material	Cast Iron	
Crankshaft material	Forged Steel	
Governor: type, make/model	Electronic, Woodward PROACT II	
Frequency regulation, no-load to full-load	Isochronous	
Frequency regulation, steady state	±0.25%	
Frequency	Fixed	
Air cleaner type, all models	Dry	

Exhaust

Exhaust System	60 Hz	50 Hz
Exhaust manifold type	Dry	
Exhaust flow at rated kW, m3/min. (cfm)	266 (9392)	225 (7945)
Exhaust temperature at rated kW, dry exhaust, °C (°F)	546 (1015)	562 (1044)
Maximum allowable back pressure, kPa (in. Hg)	5.9 (1.7)	
Exhaust outlet size at engine hookup, mm (in.)	See ADV drawing	

Engine Electrical

Engine Electrical System	60 Hz	50 Hz
Battery charging alternator:		
Ground (negative/positive)		Negative
Volts (DC)		24
Ampere rating		30
Starter motor rated voltage (DC)		Dual, 24
Battery, recommended cold cranking amps (CCA):		
Qty., CCA rating above 0°C (32°F)		2, 1000
Battery voltage (DC)		12

Fuel

Fuel System	60 Hz	50 Hz
Fuel supply line, min. ID, mm (in.)	25 (1.0)	
Fuel return line, min. ID, mm (in.)	25 (1.0)	
Max. lift, engine-driven fuel pump, m (ft.)	1 (3)	
Max. fuel flow, Lph (gph)	1750 (462)	1500 (396)
Max. fuel pump restriction, kPa (in. Hg)	15 (4.3)	
Fuel filter: quantity, type	4, Cartridge	
Recommended fuel	#2 Diesel	

Lubrication

Lubricating System	60 Hz	50 Hz
Type	Full Pressure	
Oil pan capacity, L (qt.)	180 (190)	
Oil pan capacity with filter, L (qt.)	200 (211)	
Oil filter: quantity, type	5, Cartridge	
Oil Cooler	Water-Cooled	

Application Data

Controllers

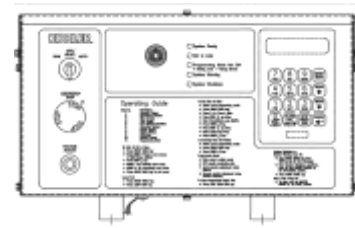
Cooling

Radiator System	60 Hz	50 Hz
Ambient temperature, °C (°F)	40 (104)	
Engine jacket water capacity, L (gal.)	100 (26.4)	
Radiator system capacity, including engine, L (gal.)	260 (69)	
Engine jacket water flow, Lpm (gpm)	1450 (383)	1200 (317)
Heat rejected to cooling water at rated kW, dry exhaust, kW (Btu/min.)	734 (41752)	620 (35282)
Water pump type	Centrifugal	
Fan diameter, including blades, mm (in.)	1524 (60)	
Fan, kWm (HP)	30.1 (40.3)	19.8 (26.5)
Max. restriction of cooling air, intake and discharge side of radiator, kPa (in. H ₂ O)	0.125 (0.5)	

Operation Requirements

Air Requirements	60 Hz	50 Hz
Radiator-cooled cooling air, m3/min. (scfm) ~	1585 (55919)	1301 (45933)
Combustion air, m3/min. (cfm)	101 (3566)	85 (3001)
Heat rejected to ambient air:		
Engine, kW(Btu/min.)	88 (5010)	74 (4234)
Generator, kW (Btu/min.)	54 (3050)	53 (3020)
~ Air density = 1.20 kg/m ³ (0.075 lbm/ft ³)		

Fuel Consumption	60 Hz	50 Hz
Diesel, Lph (gph) at % load	Standby Rating	
100%	283 (74.8)	239 (63.1)
75%	211 (55.8)	181 (47.7)
50%	147 (38.9)	125 (33.1)
25%	82 (21.7)	68 (18.1)
Diesel, Lph (gph) at % load	Prime Rating	
100%	256 (67.6)	217 (57.3)
75%	194 (51.2)	165 (43.6)
50%	137 (36.2)	116 (30.6)
25%	80 (21.1)	65 (17.3)



Decision-Maker® 550 Controller

Audiovisual annunciation with NFPA 110 Level 1 capability. Programmable microprocessor logic and digital display features. Generator safeguard circuit protection. 12- or 24-volt engine electrical system capability. Remote start, remote annunciation, and remote communication options. Refer to G6-46 for additional controller features and accessories.

Additional Standard Features

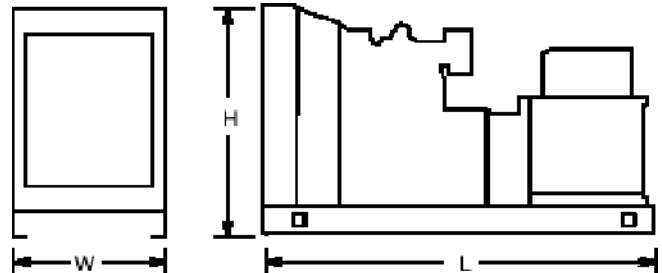
- Alternator Protection (standard with Decision-Maker® 550)
- Electronic, Isochronous Governor
- Oil Drain Extension
- Operation and Installation Literature
- Pilot-Excited, Permanent Magnet Generator (PMG)

Dimensions and Weights

Overall Size, L x W x H, mm (in.):

w/5M4044	4575 x 2050 x 2228 (180.1 x 80.7 x 87.7)
w/7M4046	4625 x 2050 x 2228 (182.1 x 80.7 x 87.7)
w/7M4170	4435 x 2050 x 2228 (174.6 x 80.7 x 87.7)

Weight (radiator model), wet, max., kg (lb.): 8800 (19383.)



NOTE: This drawing is provided for reference only and should not be used for planning installation. Contact your local distributor for more detailed information.

KOHLER CO., Kohler, Wisconsin 53044 USA
 Phone 920-565-3381, Fax 920-459-1646
 For the nearest sales and service outlet in the
 US and Canada, phone 1-800-544-2444
www.KohlerPowerSystems.com

Kohler Power Systems
 North Asia, S.E.Asia & Australasia
 7 Jurong Pier Road Singapore 619159
 Phone (65) 6264-6422, Fax (65) 6264-6455
www.kohlerPower.com.sg