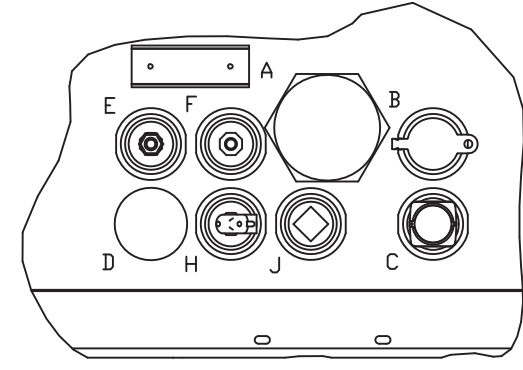


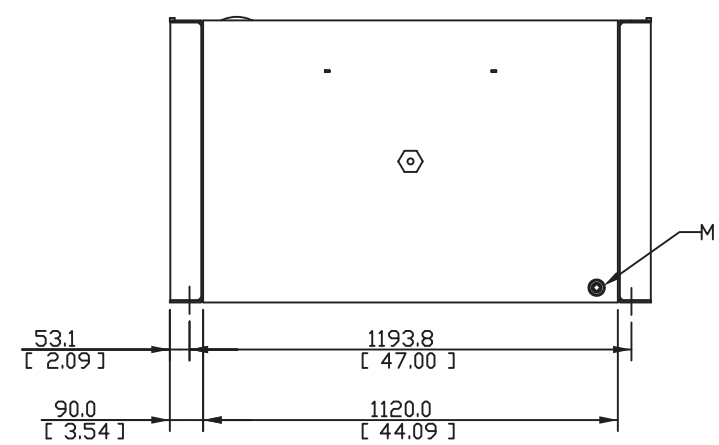
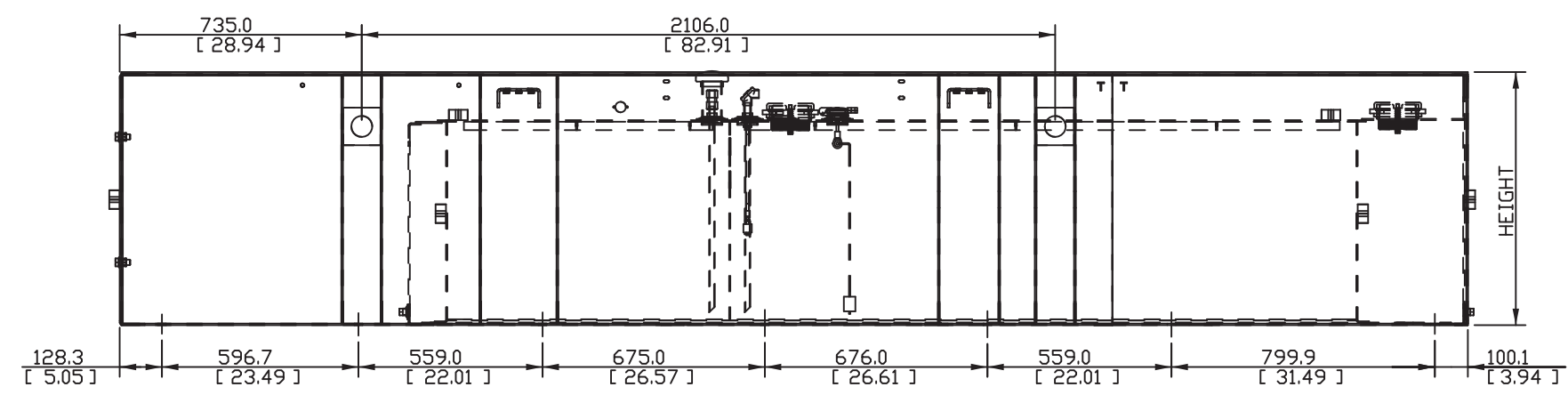
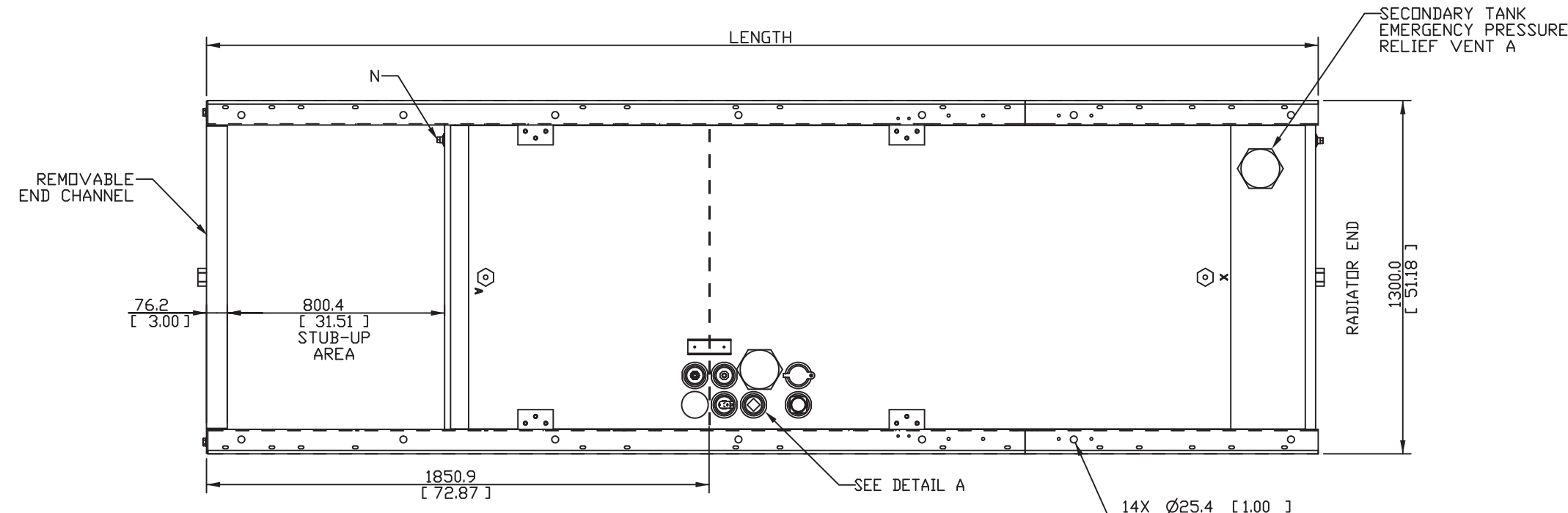
MODEL	CAPACITY L [GAL]	WEIGHT KG [LBS]	HEIGHT MM [IN]	LENGTH MM [IN]	E - VENTS SIZE (QTY)
230-275kW	1786 L [472 GAL]	911 KG [2009 LBS]	762 MM [30 IN]	4094 MM [161.2 IN]	4 (2)
300kW	2070 L [546 GAL]	939 KG [2070 LBS]	838.2 MM [33 IN]	4094 MM [161.2 IN]	4 (2)

THIS IS AN AUTOMATED TABLE. ALL CHANGES TO THIS TABLE MUST BE MADE IN THE FAMILY TABLE OF THE GENERIC MODEL.



DETAIL A
SCALE 0.200

- TANK FITTINGS:
- A. EMERGENCY VENT FITTING PER NFPA 30 WITH VENT CAPS (QTY 2).
 - B. 2" NPT FUEL FILL FITTING WITH LOCKABLE CAP AND 2" RISER.
 - C. 2" NPT FUEL LEVEL GAUGE FITTING WITH DIRECT READING MECHANICAL GAUGE.
 - D. 2" NPT NORMAL VENT FITTING WITH MUSHROOM VENT CAP AND 5" RISER.
 - E. 2" NPT FITTING FOR REMOVABLE ENGINE SUPPLY DIP TUBE (3/8" NPT FEMALE WITH CHECK VALVE).
 - F. 2" NPT FITTING FOR REMOVABLE FUEL RETURN DIP TUBE (3/8" NPT FEMALE).
 - H. 2" NPT FOR LOW LEVEL SWITCH (SET AT 50% FULL, SILICONE PACKED).
 - J. 2" NPT ADDITIONAL FITTING FOR OPTIONAL ACCESSORY (INSTALL STEEL 2" NPT PIPE PLUG).
 - M. 1/2" NPT BASIN DRAIN (INSTALL STEEL 1/2" NPT PIPE PLUG).
 - N. 1/2" NPT FOR FUEL IN BASIN SWITCH (INSTALL STEEL 1/2" NPT PIPE PLUG).



NOTE:
FOR FURTHER TANK DETAIL
SEE INDIVIDUAL DRAWINGS.

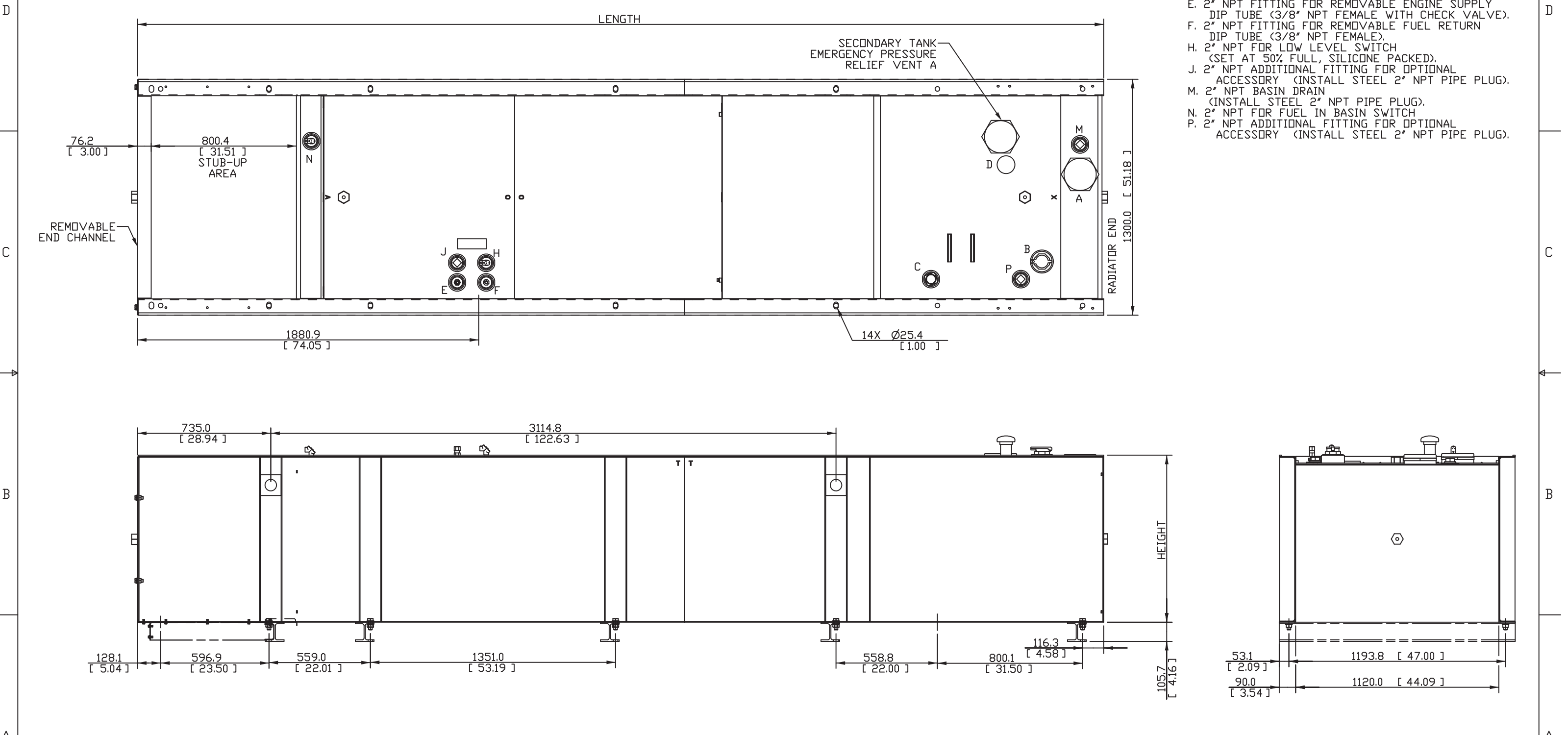
230-300KW
JOHN DEERE TIER III
STANDARD CODE TANK

REV	DATE	ON COMPOSITE DWGS, SEE PART NO. FOR REVISION LEVEL	BY	UNLESS OTHERWISE SPECIFIED - DIMENSIONS ARE IN MILLIMETERS	TOLERANCES ARE:	ANGLE FINISH	THIRD ANGLE PROJECTION	TITLE
-	10-27-08	NEW DRAWING [86488-3]	JB2	XX ± 0.25	XX ± 1.0	XX ± 1.5	MAX.	KOHLER CO. METRIC PRO-E POWER SYSTEMS, KOHLER, WI 53044 U.S.A. THIS DRAWING IN DESIGN AND DETAIL IS KOHLER CO. PROPERTY AND MUST NOT BE USED EXCEPT IN CONNECTION WITH KOHLER CO. WORK. ALL RIGHTS OF DESIGN OR INVENTION ARE RESERVED. DIMENSION PRINT SCALE 0.10 CAD NO. SHEET 1 OF 3 DWG NO. ADV-7645 D
A	11-17-09	SEE SHEET 2 OF 2, (C-4) 14X Ø25.4 WAS 12X (A-6) 675.0 AND 676.0 ADDED. [88481]	GFR					
B	10-7-10	(D-8) STANDARD TANK TABLE ADDED [90099-6]	RJS					
C	12-2-11	VIEWS UPDATED [92417-5]	SDS					
D	5-8-12	SEE SHEETS 2 & 3, SHEET 3 ADDED [CT13297]	JB2					
				APPROVALS	DATE			
				DRAWN	JB2	10-27-08		
				CHECKED	DCF	10-27-08		
				APPROVED	SLJ	10-27-08		

MODEL	CAPACITY L [GAL]	WEIGHT KG [LBS]	HEIGHT MM [IN]	LENGTH MM [IN]	E - VENTS SIZE (QTY)
230-300kW	2102 L [555 GAL]	1242 KG [2738 LBS]	635 MM [25 IN]	5008 MM [197.2 IN]	4 (2)
230-275kW	3573 L [944 GAL]	1851 KG [4081 LBS]	914.4 MM [36 IN]	5325 MM [209.7 IN]	5 (2)

THIS IS AN AUTOMATED TABLE. ALL CHANGES TO THIS TABLE MUST BE MADE IN THE FAMILY TABLE OF THE GENERIC MODEL.

- TANK FITTINGS:
- A. EMERGENCY VENT FITTING PER NFPA 30 WITH VENT CAPS (QTY 2).
 - B. 2" NPT FUEL FILL FITTING WITH LOCKABLE CAP AND 2" RISER.
 - C. 2" NPT FUEL LEVEL GAUGE FITTING WITH DIRECT READING MECHANICAL GAUGE.
 - D. 2" NPT NORMAL VENT FITTING WITH MUSHROOM VENT CAP AND 5" RISER.
 - E. 2" NPT FITTING FOR REMOVABLE ENGINE SUPPLY DIP TUBE (3/8" NPT FEMALE WITH CHECK VALVE).
 - F. 2" NPT FITTING FOR REMOVABLE FUEL RETURN DIP TUBE (3/8" NPT FEMALE).
 - H. 2" NPT FOR LOW LEVEL SWITCH (SET AT 50% FULL, SILICONE PACKED).
 - J. 2" NPT ADDITIONAL FITTING FOR OPTIONAL ACCESSORY (INSTALL STEEL 2" NPT PIPE PLUG).
 - M. 2" NPT BASIN DRAIN (INSTALL STEEL 2" NPT PIPE PLUG).
 - N. 2" NPT FOR FUEL IN BASIN SWITCH.
 - P. 2" NPT ADDITIONAL FITTING FOR OPTIONAL ACCESSORY (INSTALL STEEL 2" NPT PIPE PLUG).



NOTE:
FOR FURTHER TANK DETAIL
SEE INDIVIDUAL DRAWINGS.
230-300KW
JOHN DEERE TIER III
STATE CODE TANK

REV	DATE	ON COMPOSITE DWGS, SEE PART NO. FOR REVISION LEVEL	BY	UNLESS OTHERWISE SPECIFIED - DIMENSIONS ARE IN MILLIMETERS	TOLERANCES ARE:	DATE
-	10-27-08	NEW DRAWING [86488-3]	JB2	XX ± 0.25		10-27-08
A	11-18-09	SEE SHEET 1 OF 2. (D-7) 800.4 ADDED.[88481]	GFR	XX ± 1.0		10-27-08
B	10-7-10	(D-8) STATE TANK TABLE ADDED [90099-6]	RJS	XX ± 1.5		10-27-08
C	12-2-11	VIEWS UPDATED [92417-5]	SDS	ANGLES ± 0° 30'	SURFACE FINISH MAX.	10-27-08
D	5-8-12	SEE SHEET 3, (D-8) 300 KW MOVED TO SHEET 3, (D-3) FITTING NOTES REVISED [13297]	JB2	THIRD ANGLE PROJECTION		10-27-08

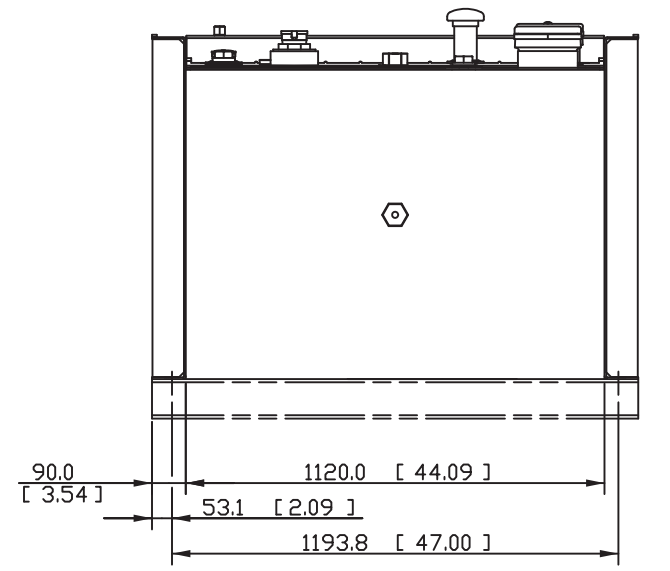
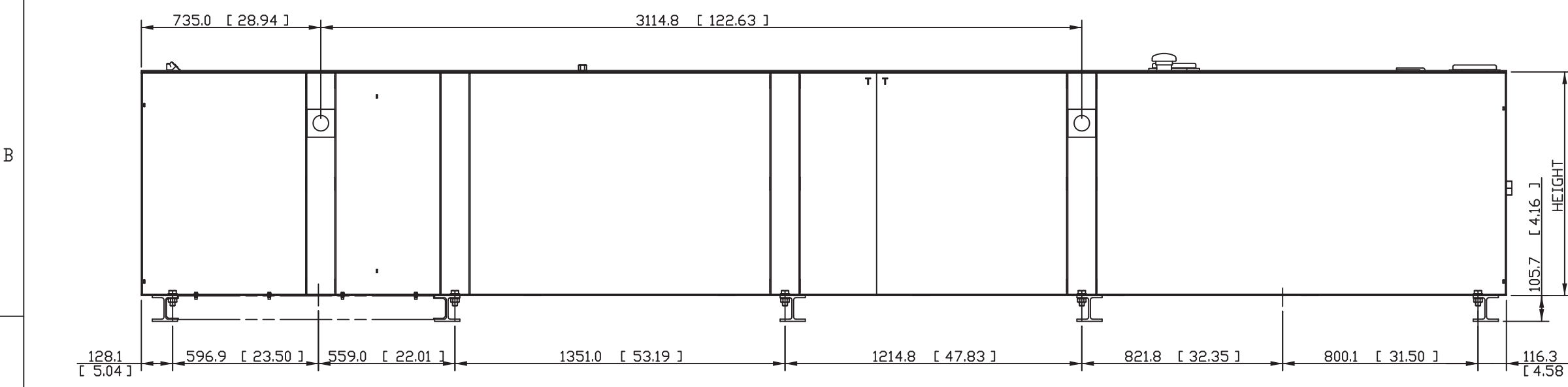
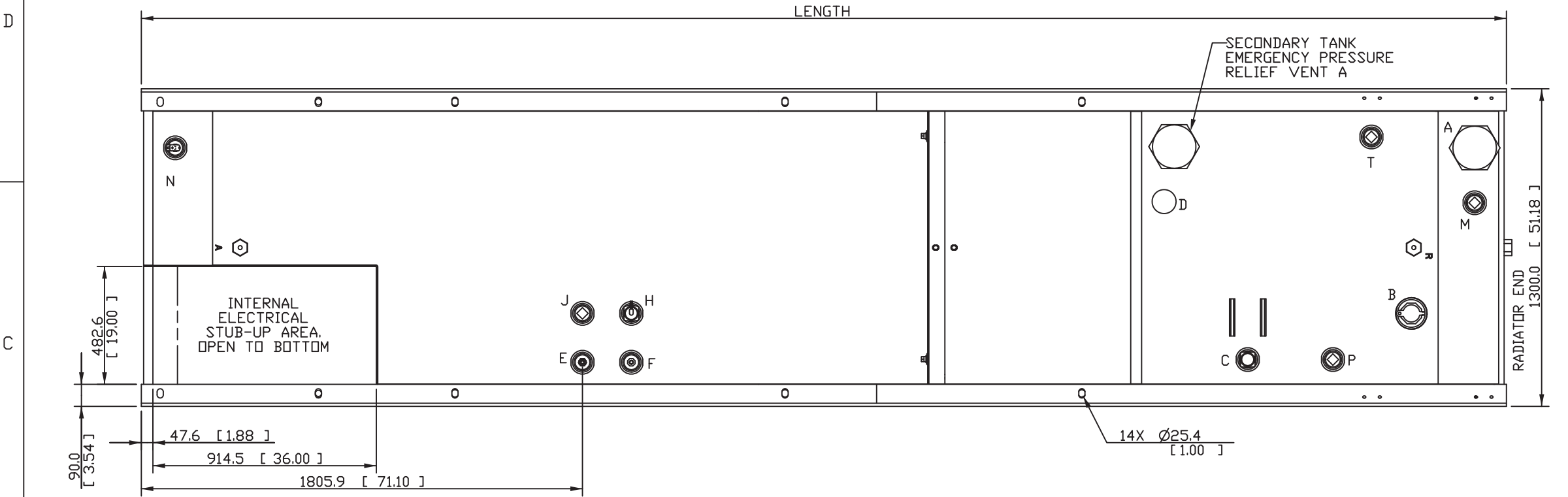
DIMENSIONS IN [] ARE ENGLISH EQUIVALENTS.

KOHLER CO. METRIC PRO-E	
POWER SYSTEMS, KOHLER, WI 53044 U.S.A.	
THIS DRAWING IN DESIGN AND DETAIL IS KOHLER CO. PROPERTY AND MUST NOT BE USED EXCEPT IN CONNECTION WITH KOHLER CO. WORK. ALL RIGHTS OF DESIGN OR INVENTION ARE RESERVED.	
TITLE DIMENSION PRINT	
SCALE 0.10	CAD NO.
DWG NO. ADV-7645	SHEET 2 OF 3

MODEL	CAPACITY L [GAL]	WEIGHT KG [LBS]	HEIGHT MM [IN]	LENGTH MM [IN]	E - VENTS SIZE (QTY)
300kW	4066 L [1074 GAL]	1809 KG [3989 LBS]	914.4 MM [36 IN]	5588 MM [220.0 IN]	5 (2)

THIS IS AN AUTOMATED TABLE. ALL CHANGES TO THIS TABLE MUST BE MADE IN THE FAMILY TABLE OF THE GENERIC MODEL.

- TANK FITTINGS:
- A. EMERGENCY VENT FITTING PER NFPA 30 WITH VENT CAPS (QTY 2).
 - B. 2" NPT FUEL FILL FITTING WITH LOCKABLE CAP AND 2" RISER.
 - C. 2" NPT FUEL LEVEL GAUGE FITTING WITH DIRECT READING MECHANICAL GAUGE.
 - D. 2" NPT NORMAL VENT FITTING WITH MUSHROOM VENT CAP AND 5" RISER.
 - E. 2" NPT FITTING FOR REMOVABLE ENGINE SUPPLY DIP TUBE (3/8" NPT FEMALE WITH CHECK VALVE).
 - F. 2" NPT FITTING FOR REMOVABLE FUEL RETURN DIP TUBE (3/8" NPT FEMALE).
 - H. 2" NPT FOR FUEL LEVEL SENDER.
 - J. 2" NPT ADDITIONAL FITTING FOR OPTIONAL ACCESSORY (INSTALL STEEL 2" NPT PIPE PLUG).
 - M. 2" NPT BASIN DRAIN (INSTALL STEEL 2" NPT PIPE PLUG).
 - N. 2" NPT FOR FUEL IN BASIN SWITCH.
 - P. 2" NPT ADDITIONAL FITTING FOR OPTIONAL ACCESSORY (INSTALL STEEL 2" NPT PIPE PLUG).
 - T. 2" NPT ADDITIONAL FITTING FOR OPTIONAL ACCESSORY (INSTALL STEEL 2" NPT PIPE PLUG).



NOTE:
FOR FURTHER TANK DETAIL SEE INDIVIDUAL DRAWINGS.
300KW
JOHN DEERE TIER III
STATE CODE TANK

REV	DATE	ON COMPOSITE DWGS, SEE PART NO. FOR REVISION LEVEL	BY	UNLESS OTHERWISE SPECIFIED - DIMENSIONS ARE IN MILLIMETERS	TOLERANCES ARE:	SURFACE FINISH	THIRD ANGLE PROJECTION	TITLE
D	5-8-12	SEE SHEET 2,(D-2) FITTING NOTES REVISED [CT13297]	JB2	XX ± 0.25	XX ± 1.0	X ± 1.5	ANGLES ± 0° 30' MAX.	PRINT, DIMENSION
								SCALE 0.10 CAR NO.
								DWG NO. ADV-7645 SHEET 3 OF 3
								D

DIMENSIONS IN [] ARE ENGLISH EQUIVALENTS.