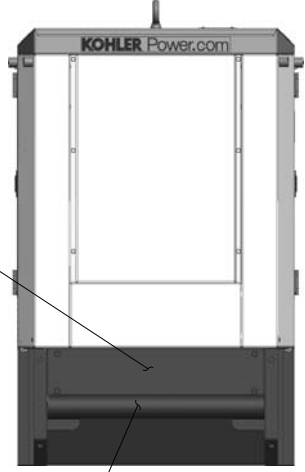


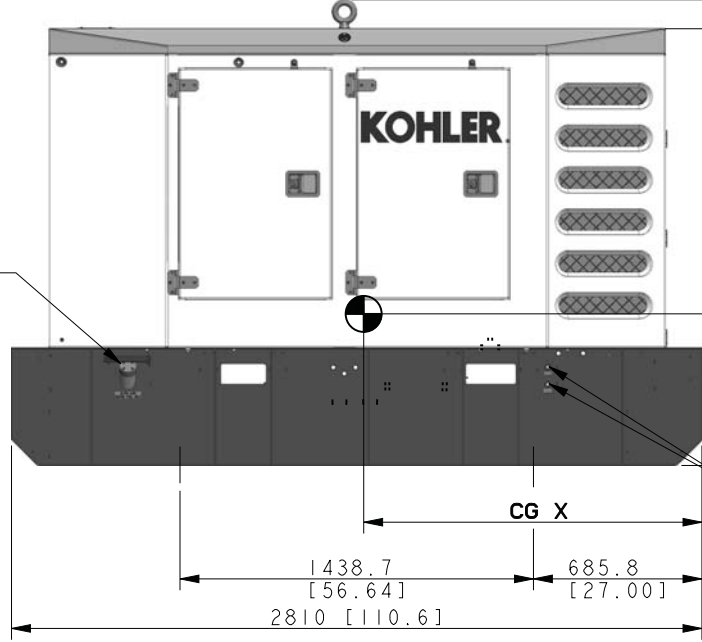
CENTER OF GRAVITY DIMENSIONS			WEIGHT DRY KG [LBS]	WEIGHT WET KG [LBS]
MODEL	CG X	CG Y		
48REOZK4	1377 [54.2]	617 [24.3]	1973 [4350]	2000 [4410]



REMOVABLE PANEL,  
LOCKABLE FOR CABLE  
STORAGE

TOW BARS FOR  
TOWABLE TANK  
TYP. EA. END

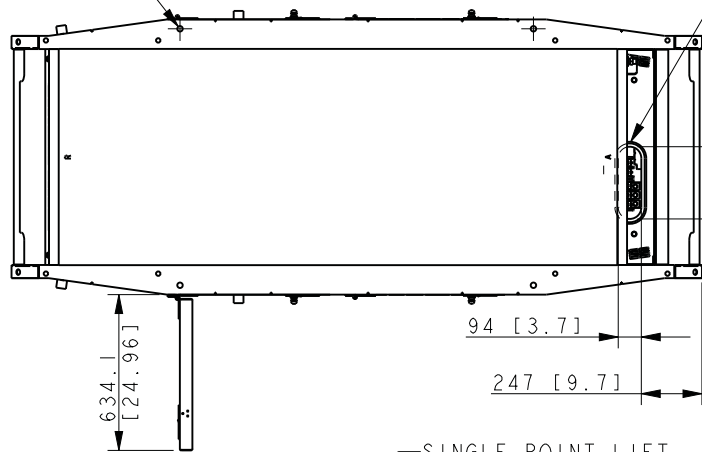
EXTERNAL LOCKABLE  
FUEL FILL



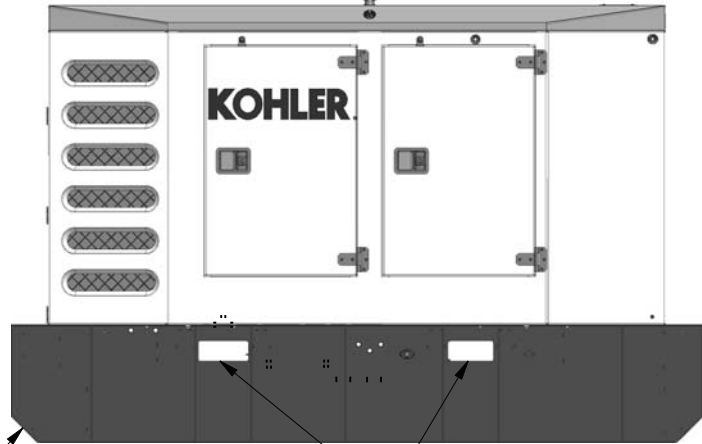
EXTERNAL FUEL  
SUPPLY / RETURN  
3/8" NPT

CONDUIT ENTRY AREA FOR GENERATOR  
LOAD LEADS (BOTTOM ENTRY)

4X Ø22.2  
[0.87]



SINGLE POINT LIFT



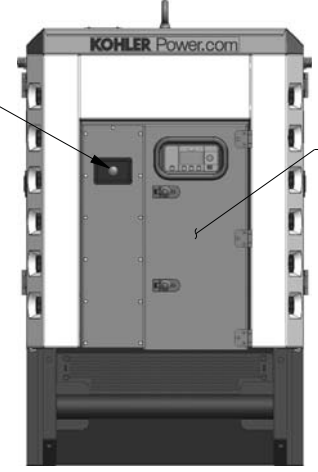
386 LITER [102 GAL.]  
FUEL TANK

FORK POCKETS

FIELD DRAGGABLE  
48REOZK4

EMERGENCY STOP

LOCKABLE DOOR  
W/ VIEWING WINDOW



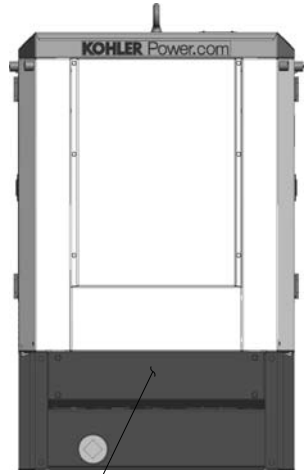
1120 [44.1]

WET WEIGHT INCLUDES ENGINE FLUIDS, EXCLUDING FUEL AND DEF WEIGHT.  
DIMENSIONS IN [ ] ARE ENGLISH EQUIVALENTS

REV	DATE	ON COMPOSITE DWGS, SEE PART NO. FOR REVISION LEVEL	BY	UNLESS OTHERWISE SPECIFIED - 1) DIMENSIONS ARE IN MILLIMETERS 2) TOLERANCES ARE:
-	5-18-15	NEW DRAWING [CT113610]	TAK	X.XX ± 0.25 X.X ± 1.0 X ± 1.5 ANGLES ± 0° 30' MAX.
				THIRD ANGLE PROJECTION
				APPROVALS DATE
				DRAWN TAK 5-18-15
				CHECKED CEK 5-18-15
				APPROVED WDG 5-18-15

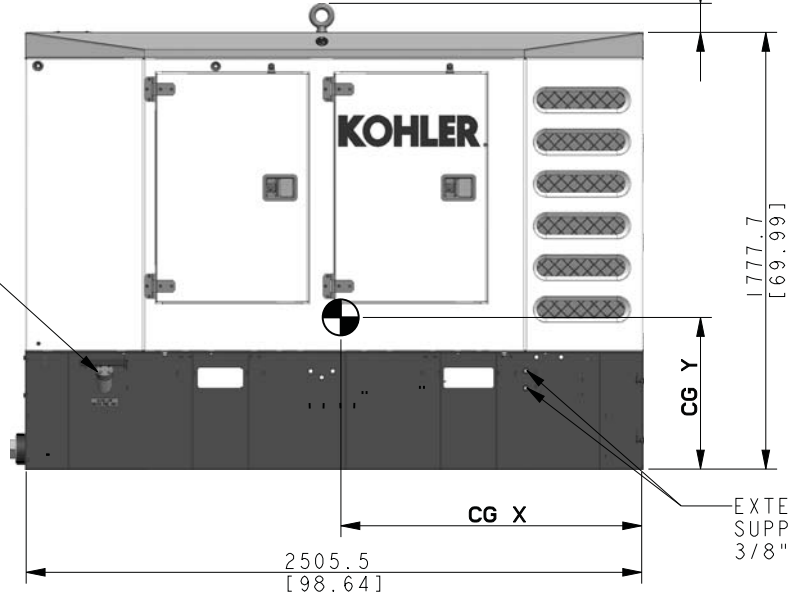
<b>KOHLER CO.</b>	<b>METRIC</b>	<b>PRO-E</b>
POWER SYSTEMS, KOHLER, WI 53044 U.S.A. THIS DRAWING IN DESIGN AND DETAIL IS KOHLER CO. PROPERTY AND MUST NOT BE USED EXCEPT IN CONNECTION WITH KOHLER CO. WORK. ALL RIGHTS OF DESIGN OR INVENTION ARE RESERVED.		
TITLE <b>DIMENSION PRINT, 48REOZK4</b>		
SCALE 0.07	CAD NO.	SHEET 1 of 2
DWG NO. <b>ADV-8775</b>		<b>D</b>

CENTER OF GRAVITY DIMENSIONS			WEIGHT DRY KG [LBS]	WEIGHT WET KG [LBS]
MODEL	CG X	CG Y		
48REOZK4	1225 [48.2]	617 [24.3]	1961 [4324]	1989 [4384]

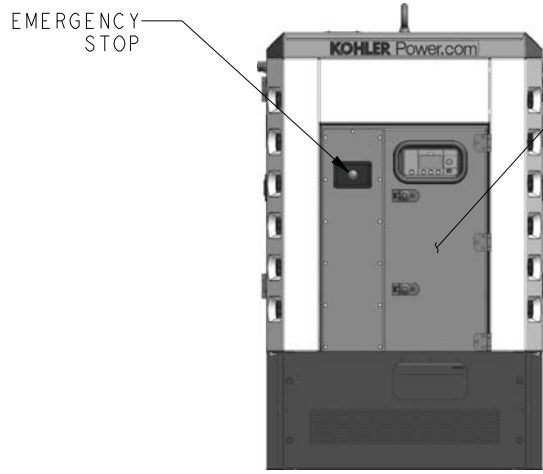


REMOVABLE END CHANNEL  
LOCKABLE FOR CABLE  
STORAGE

EXTERNAL LOCKABLE  
FUEL FILL

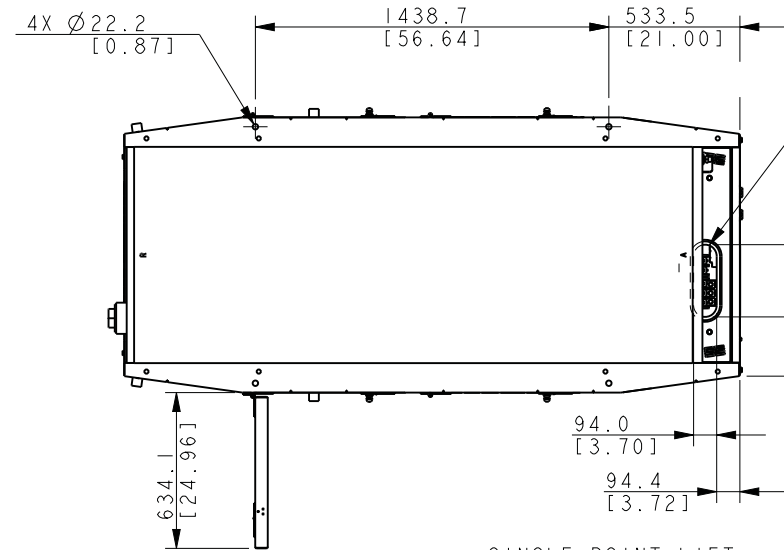


EXTERNAL FUEL  
SUPPLY / RETURN  
3/8" NPT



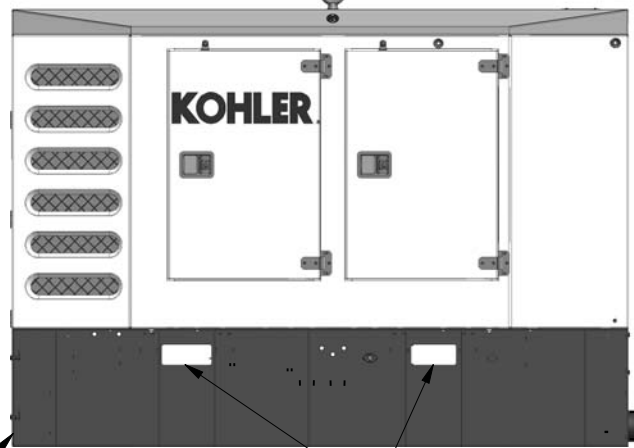
EMERGENCY  
STOP

LOCKABLE DOOR  
W/ VIEWING WINDOW



CONDUIT ENTRY AREA FOR GENERATOR  
LOAD LEADS (BOTTOM ENTRY)

SINGLE POINT LIFT



386 LITER [102 GAL.]  
FUEL TANK

FORK POCKETS

STANDARD TOWABLE  
48REOZK4

WET WEIGHT INCLUDES ENGINE FLUIDS, EXCLUDING FUEL AND DEF WEIGHT.  
DIMENSIONS IN [ ] ARE ENGLISH EQUIVALENTS

REV	DATE	ON COMPOSITE DWGS, SEE PART NO. FOR REVISION LEVEL	BY	UNLESS OTHERWISE SPECIFIED - 1) DIMENSIONS ARE IN MILLIMETERS 2) TOLERANCES ARE:
-	5-18-15	NEW DRAWING [CT113610]	TAK	X.XX ± 0.25 X.X ± 1.0 X ± 1.5 ANGLES ± 0° 30' MAX.
				THIRD ANGLE PROJECTION
				APPROVALS
				DATE
				DRAWN TAK 5-18-15
				CHECKED CEK 5-18-15
				APPROVED WDG 5-18-15

<b>KOHLER CO.</b>	<b>METRIC</b>	<b>PRO-E</b>
POWER SYSTEMS, KOHLER, WI 53044 U.S.A. THIS DRAWING IN DESIGN AND DETAIL IS KOHLER CO. PROPERTY AND MUST NOT BE USED EXCEPT IN CONNECTION WITH KOHLER CO. WORK. ALL RIGHTS OF DESIGN OR INVENTION ARE RESERVED.		
TITLE <b>DIMENSION PRINT, 48REOZK4</b>		
SCALE 0.07	CAD NO.	SHEET 2 of 2
DWG NO. <b>ADV-8775</b>		<b>D</b>